

I. FUNCTION:

1. This operation manual is adapted to Auto Multi-PCs Controller which are available with OSD (ON SCREEN DISPLAY) support. This series of models can be connected as a first level of a MASTER unit in cascade configuration.
2. When multi models are cascaded, the one which has a mouse, a keyboard and a monitor connected to its Console port directly and operated by a user called "MASTER"; other cascaded models are called "SLAVE". The Console side of each SLAVE has to be connected to the PC side of MASTER.
3. For these models with built-in OSD (ON SCREEN DISPLAY) control, user can easily be aware of the system status and operations throughout on screen menu.
4. These series of models can setup individual PC name and search the PC by name.
5. Password setup and management is available. If the password is setting, you must input the correct password to access the target PC.
6. A U T O S C A N function available, Scan interval is adjustable.

II. FEATURES:

1. Keyboard, mouse, monitor emulation & "PnP".
2. Auto scan, Manual selection, easy Hot Key control and by OSD menu.
3. Keyboard, mouse reset
4. With OSD (On Screen Display).
5. Reset Button: Reset mouse and keyboard simulation without power down the PCs.

III. SPECIFICATION:

| Function | SPECIFICATION | |
|-------------------------|---------------------------------|------------------|
| *Model (PS/2) | 8 PORT | 16 PORT |
| *Description | 8 PCs to 1 User | 16 PCs to 1 User |
| *Case design | 19" Rack | |
| *PC selection method | Push Button / Keyboard Hot Keys | |
| *PC side connector | HD-15M x 8 | HD-15M x 16 |
| *Console side connector | HD-15F x 1 , MD-6F x 2 | |
| *Dimension (LxWxH.mm) | 439mm x 189mm x 43.5mm | |
| *Power | DC 12V | |
| *Transmission Distance | | |
| PC side to Switch | 10 meters | |
| Console side to Switch | 5 meters | |
| *Max.Resolution | 1920 x 1440 | |
| *Video Bandwidth | 250MHz | |

| | |
|-----------------------|-----------|
| *Horizontal Frequency | 30-180KHz |
| *Vertical Frequency | 43-250Hz |

IV. INSTALLATION:

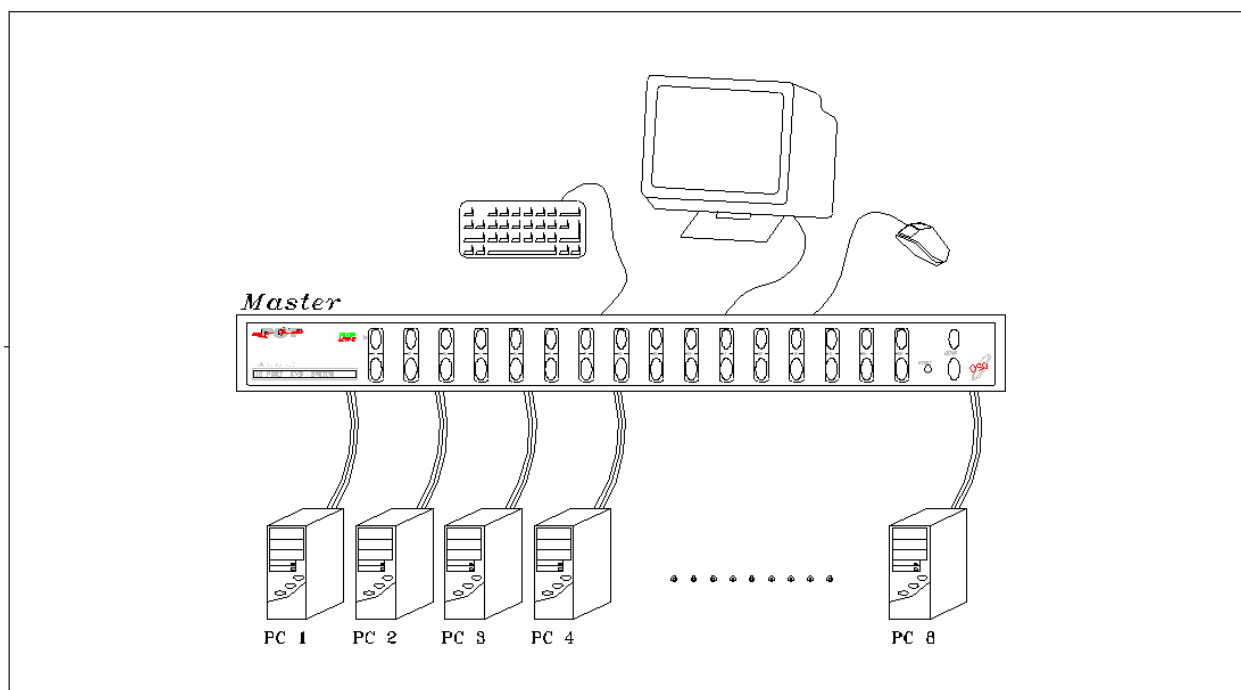
● Configurations :

For applications with a large number of computers, Auto Multi-PCs Controller can be cascaded in a MASTER / SLAVE configuration to support even more computers.

● Single Configuration :

Connect a PS/2 keyboard, a PS/2 mouse and a monitor directly to the Master's CONSOLE port. Then, connect multiple sets of keyboard, muse and monitor cables to the "PC x" port.

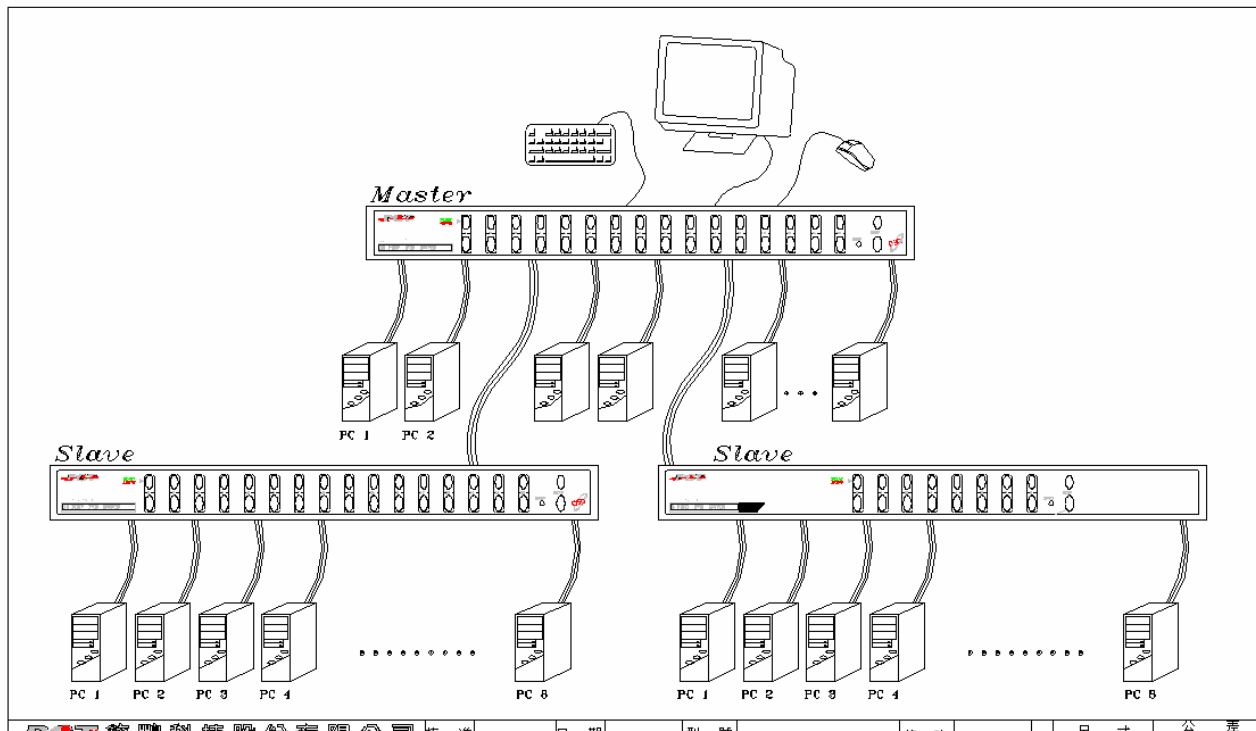
<<圖檔請見e-mail之附件>>



● Cascade (Master/Slave) Configuration :

You can connect a second level of one or more Auto Multi-PCs Controller to "PC1~PC8" or "PC1~PC16" ports of a Master unit. Cascade configuration expands system ability allowing you to select computers connected to the Master or Slaves. There is only one Master, which has a mouse, a keyboard and a monitor connected to its CONSOLE port directly operated by a user. Once connected, automatically configure themselves to either Master or Slave. Slaves of different Auto Multi-PCs Controller can be mixed in cascade configuration.

<<圖檔請見e-mail之附件>>



V. OPERATION:

1、 Front Panel Push Buttons :

- A、 Selecting the PC by pressing the front panel push button directly.
- B、 The Auto Scan button of SLAVE will be disable when in cascade configuration.

2、 Hot-key Commands:

- A、 Two ways to activate the scan mode (Auto status) :
 - Press “SCAN” button on the front panel.
 - Hot Key operation:<SCROLL LOCK><SCROLL LOCK><SPACEBAR>
- B、 Three ways to deactivate the scan mode (Manual status) :
 - Press “SCAN” button on the front panel.
 - Press any push button of the switch.
 - Press any key on the keyboard.

3、 OSD (On Screen Display):

- A . HOT-KEY can be set as <SCROLL LOCK> key (original design) or <L-CTRL> (LEFT CTRL) key.

- B . Press HOT-KEY twice (within 3 seconds) (Remark: Press HOT-KEY only one time when password is accepted), then enter into the HOT-KEY MAIN MENU mode.
- C . When on MAIN MENU screen , the OSD display is shown as Figure(1):

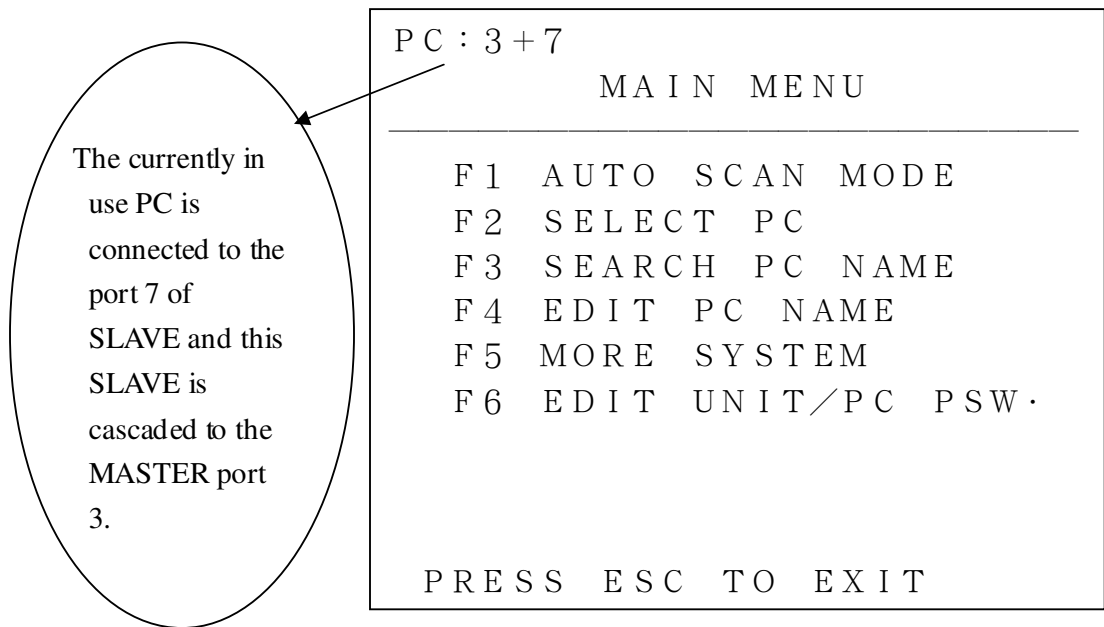


Figure (1)

- D . Line one shows PC: 3+7 which indicates that the currently in use PC is connected to the port 7 of SLAVE and this SLAVE is cascaded to the MASTER port 3.
- E . Under this screen mode, user can press button <F1> , <F2> , <F3> , <F4> , <F5> , <F6> for activating its function and can also press number key (0~9) to select PC.
- G . While activating the H O T -KEY commands , MOUSE will be disable temporarily , KEYBOARD can only control the OSD screen but CANNOT control the selected PC.
- F . Press <ESC> to exit the MAIN MENU screen and return to the PC operation, the MOUSE and KEYBOARD can then work normally.

4、 Using numerical key to select PC:

- A . Press the numerical key once and the screen will show as Figure (2), then press 0~9 to select PC.
- B . The port number which is connected to the MASTER should be input first and following press <+> and then press the port number of the SLAVE which is connected to the selected PC.
- C . Hit <ENTER> to confirm. You can access the selected PC immediately if it is powered on.
- D . If the selected PC has not been powered on, OSD shows “ DISABLE” .

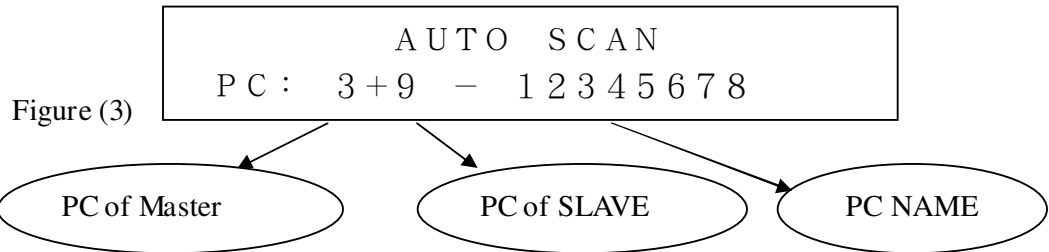
E . If selected wrong PC number, OSD displays “ ERROR” .



Figure (2)

5、 Press <F1> key to activate the AUTO SCAN function :

A . In MAIN MENU, hitting <F1> key is to indicate to enter into AUTO SCAN function, OSD will display as figure (3)。



B . Under AUTO SCAN mode , the LED indicator of USER KEYBOARD flashes according to different Scan Rate.

C . Under AUTO SCAN mode, hitting <-/_> or <-> key is to adjust down the SCAN RATE.

D . Under AUTO SCAN mode, hitting <=/+> or <+> key is to adjust up the SCAN RATE.

E . Table (1) shows the comparative list of LED light of Keyboard and the SCAN RATE:

Table (1)

| Scan Rate(Sec) | NUM LOCK | CAPS LOCK | SCROLL LOCK |
|----------------|----------|-----------|-------------|
| 5 | OFF | OFF | ON |
| 10 | ON | OFF | OFF |
| 15 | ON | OFF | ON |
| 20 | OFF | ON | OFF |
| 25 | OFF | ON | ON |
| 30 | ON | ON | OFF |

F . Under AUTO SCAN mode, hitting <-> > key is to select the next powered-on PC.

G . Under AUTO SCAN mode, hitting <-< > key is to select the previous powered-on PC.

H . Exit **AUTO SCAN mode** :

Press <ESC> key to exit the AUTO SCAN and return to the selected PC and also

enter into the MANU mode operation, and the MOUSE and KEYBOARD then work normally.

6、 <F2> key -- SELECT PC function :

A . Under MAIN MENU mode, hit <F2> key to enter the select PC function, the screen displays as Figure(4).

B . Under the mode, use <↓> or <↑> key to move the cursor (CURSOR), use <ENTER> to confirm the PC selection.

C . Only for 16 port model , you can use <Page Up> and <Page Down> key to display more PC information.

D . Under OSD display: right side (STU) field shows the selected PC status :

⊕ : selected PC is POWER ON;

⊕ 8 : selected PC is daisy-chained to 8 port model series which have MASTER / SLAVE Configuration.

⊕ 16 : selected PC is daisy-chained to 16 port model series which have MASTER / SLAVE Configuration.

E . Line one shows PC: 3+7 which indicates that the selected PC is Port 7 of SLAVE and this SLAVE is daisy-chained to MASTER port 3 . (Figure(4))

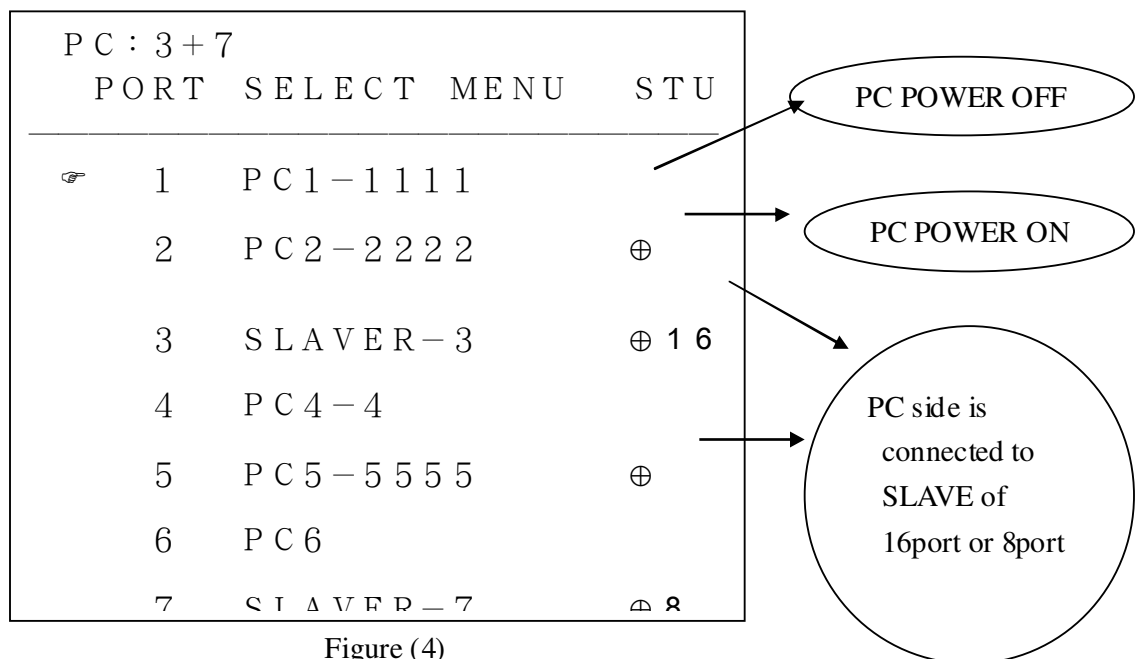


Figure (4)

F . If cursor (CURSOR) selects the PC which is remarked with “ ⊕ 8 ” or “ ⊕ 1 6 ” means that the PC is daisy-chained to the SLAVE. Hit <ENTER> or <↔> to enter into the cascaded SLAVE. OSD shows the selected daisy-chained PC information (see Figure (5)). On the right side of Line 1 of Figure (5) shows ” SLAVER : ??” to identify the on screen information is from ?? port of SALVER.

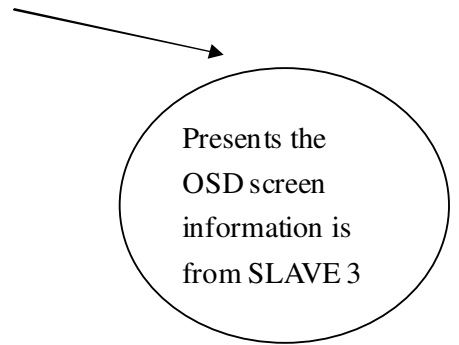


Figure (5)

- G . Shown SLAVE PC information as Figure (5), press <← > to return to the MASTER PC (shown as Figure(4)).
- H . Press <ESC> key to come back to MAIN MENU (Shown figure (1)).

7、 <F3> key -- SEARCH PC function :

- A . On MAIN MENU screen mode, press <F3> to enter into PC NAME input mode to search for the target PC, OSD message shown as Figure (6).



- B . Input at most 8 characters (<A~Z>, numerical <0~9> and <-> etc) and press <ENTER> as confirmation. For example: input <PC12345> and hit <ENTER> to start searching the target PC <PC12345>. When targeted PC is found, it will switch to the PC automatically.
- C . If no PC NAME is matched, the OSD will display " ERROR" message (shown as Figure(7)).



Figure (7)

D . If the searched PC is powered off, the OSD will display "DISABLE" message (shown as Figure(8)).



Figure (8)

8、 <F4> key -- EDIT PC NAME function :

A . Under MAIN MENU mode: hit <F4> key to enter the edit PC name operation (shown as Figure (9)), on the Line 1 of Figure (9) shows P C : 2 indicating the current screen information is from the second PC.

| P C : 2 | | | |
|---------|-----------------|------|-------|
| PORT | NAME | EDIT | STU |
| ☞ 1 | P C 1 - 1 1 1 1 | | |
| 2 | P C 2 - 2 2 2 2 | | ⊕ |
| 3 | S L A V E R - 3 | | ⊕ 1 6 |
| 4 | P C 4 - 4 | | |
| 5 | P C 5 - 5 5 5 5 | | ⊕ |
| 6 | P C 6 | | |
| 7 | S L A V E R - 7 | | ⊕ 8 |

Figure (9)

B . For 16 port series, <Page Up>/<Page Down> key can display more PC information.

C . Under OSD mode: on the right side of (STU) field show the status of PC: :

⊕ : PC is POWER ON;

⊕ 8 : PC is daisy-chained to 8 port model series which have MASTER / SLAVE Configuration.

⊕ 16 : PC is daisy-chained to 16 port model series which have MASTER / SLAVE Configuration.

- D . Use <↓ > or <↑ > key to move the cursor (CURSOR), hit <ENTER> to enter the edit PC name operation (shown as figure (10)).
- E . In figure (10) the cursor indicates to edit the name of PC2. The cursor becomes the icon ■ prompt to indicate the location you are editing. Input at most 8 characters (<A~Z>, numerical <0~9> and <-> etc) and press <ENTER> as confirmation.
- F . Edit SLAVE PC name: use <↓ >, <↑ >, <Page Up>, <Page Down> to select the PC of SLAVE. Then press <↔ > to select the daisy-chained SLAVE PC, the OSD screen shows as Figure (11): the right side of Line 1 shows "S L A V E R : 3" indicating the current screen display is from ?? SLAVE.

| P C : 2 | | | |
|---------|-----------------|------|-------|
| PORT | NAME | EDIT | STU |
| 1 | P C 1 - 1 1 1 1 | | |
| ☞ 2 | ■ | | ⊕ |
| 3 | S L A V E R - 3 | | ⊕ 1 6 |
| 4 | P C 4 - 4 | | |
| 5 | P C 5 - 5 5 5 5 | | ⊕ |
| 6 | P C 6 | | |
| 7 | S L A V E R - 7 | | ⊕ 2 |

Figure (10)

| P C : 2 | | S L A V E R : 3 | |
|---------|-----------------|-----------------|-----|
| PORT | NAME | EDIT | STU |
| ☞ 1 | S 3 - P C 1 1 1 | | |
| 2 | S 3 - P C 2 2 2 | | ⊕ |
| 3 | E M A I L - 1 | | ⊕ |
| 4 | S M P T - 3 | | |
| 5 | S 3 - P C 5 5 5 | | ⊕ |
| 6 | S 3 - P C 6 | | |
| 7 | S 3 - P C 7 | | ⊕ |

Figure (11)

G . Figure (11) shows the selected SLAVE PC information; hit <← > key to return to the MASTER PC mode (shown as Figure (9)).

H . Hit <ESC> to back to the MAIN MENU mode (shown as Figure(1)).

9、 <F5> key -- MORE SYSTEM function :

A . Under MAIN MENU mode: hit <F5> key to enter the MASTER PC setting operations. You can hit <↓ > or <↑ > or <← > or <→ > key to setup these parameters. (shown as Figure (12))

B . Hit <↓ > or <↑ > key to move cursor and select item

C . Hit <← > or <→ > key to change the setting.

D . Hit <ESC> to go back to the MAIN MENU (Figure(1)) shown as follow:

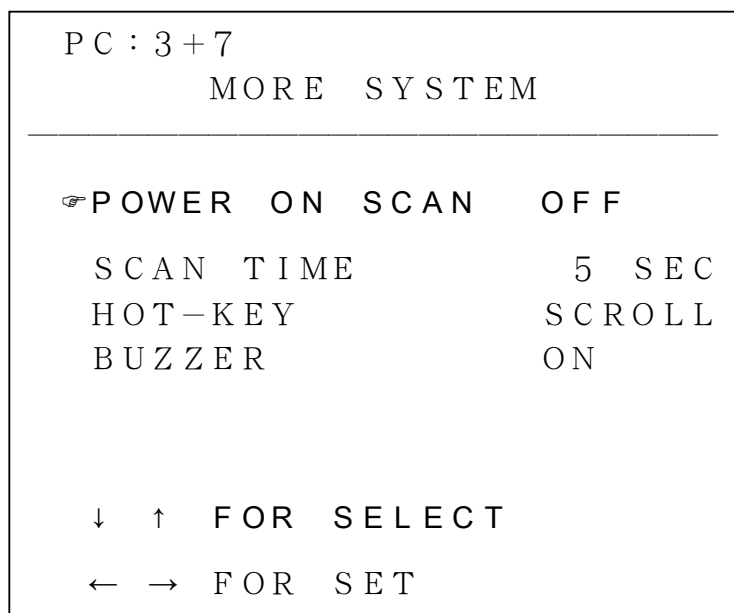


Figure (12)

E . POWER ON SCAN setup :

a . OFF – After resetting the MASTER PC, POWER ON SCAN will search and switch to the PC which is power on directly.

b . ON -- After resetting MASTER PC, POWER ON SCAN will activate the AUTO

SCAN function, the operation step is same as above IV.

- F . SCAN TIME setup :
Same as { VI-E} Table(1).
- G . HOT-KEY setup :
Two choices - <SCROLL> and <L-CTRL>.
- H . BUZZER setup :
 - a . OFF – BUZZER is **DISABLE** while hitting HOT-KEY and front panel push button.
 - b . ON -- BUZZER is **ENABLE** while hitting HOT-KEY and front panel push button.
- I BACKGROUND COLOR setup:
 - a. OFF- No Background color
 - b. ON- the Background color is light-blue

10、<F6> key -- EDIT UNIT/PC PSW :

A . Password setting: MASTER Password and PC side Password.

- a . MASTER Password : Controlling and Editing the MASTER password. When user enters the HOT-KEY mode, hit <F6> to edit password. OSD will ask for the correct password of MASTER (Shown as Figure(13)). After entering the correct password, user are allowed to use the device.

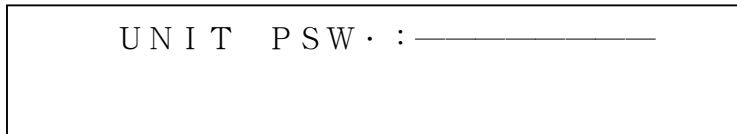


Figure (13)

- b . P C Password : Controlling the operation of PC side. User will be asked for the password, only when the password is entered correctly will the user be allowed to use this PC. OSD screen shown as Figure (16)。

- B . Under MAIN MENU mode: hit <F6> key for password editing and if the MASTER password function has been already set, the OSD will ask for entering the password of MASTER(as Figure (13)). Only when the password is entered correctly will the user be allowed to use this device. OSD Shown as Figure (14).
- C . Under MAIN MENU mode: hit <F6> key for password editing. If the password function of MASTER is not set yet (UNIT PSW.), you can edit new password directly(OSD screen shown as Figure (14)).

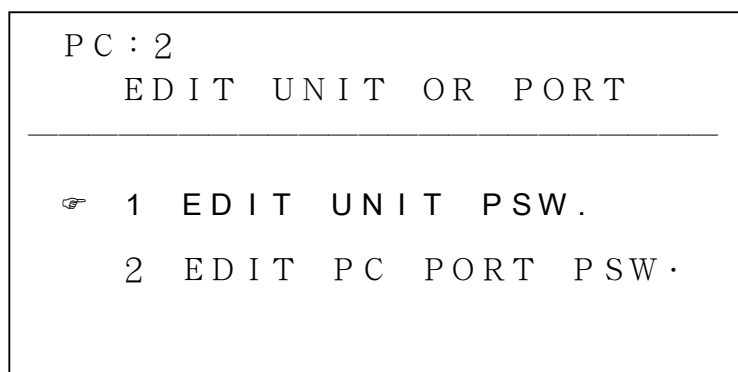


Figure (14)

- D . Enter Editing function shown as Figure (14) –
 - a. Editing MASTER password (EDIT UNIT PSW.)
 - b. Editing PC password (EDIT PC PORT PSW.) including editing the PC password of SLAVE.
- E . Select 1 means to EDIT UNIT PSW: Editing MASTER password, OSD will show as Figure (15), user should type 1~8 characters (valid characters are <A~Z>, <0~9> and <->) as the new password of MASTER and then press <ENTER> as confirmation. User should keep the new password firmly in mind.

Figure (15)

NEW P S W . : _____

- F . Select 2 to EDIT PC PORT PSW.: OSD will show as Figure (18). User can use <↓ > or <↑ > to move ⤴(CURSOR) and press <ENTER> to select PC. The procedure of PC password edition is same as previous step VI.

11、 Enable Password :

- A . If selected PC has setup the password, OSD will ask for entering the password of the PC, (Shown as Figure (16)). Correct password is required to use the selected PC.

Figure (16)

P C P A S S W O R D : _____
P C : 1 2 + 5 - P C 1 2 3 4 5

- B . When user enter the wrong password, the OSD will show message“ ERROR” (Shown as Figure (17)). User will be asked for re-entering the correct password.

E R R O R
P C : 1 2 + 5 - P C 1 2 3 4 5

Figure (17)

C . Under Figure (16) mode, user can hit HOT-KEY once to enter HOT-KEY MAIN MENU.

| P C : 2 | | | | |
|---------|------|-----------------|---------|-------|
| | PORT | P S W · | E D I T | S T U |
| ☞ | 1 | P S W 1 | | |
| | 2 | P S W 2 | | ⊕ |
| | 3 | P S W 3 | | ⊕ 1 6 |
| | 4 | P S W - 4 | | |
| | 5 | P S W - 5 5 5 5 | | ⊕ |
| | 6 | P S W 6 | | |
| | 7 | P S W 7 | | ⊕ 8 |

Figure (18)

VI. LIMITED WARRANTY:

<<<同MPM095-1 的LIMITED WARRANTY>>

VII. TROUBLE SHOOTING:

<<<同MPM095-1 的TROUBLE SHOOTING>>